



## AEMAX T

### RUBBER AND POLYURETHANE SOUNDPROOFING MAT FOR ROOFS

Acoustic insulating material for roofs, made with the coupling of a recycled rubber plate 6 mm thick made up of elastomeric compounds coming from the recycling of E.L.T. (end of life tyres) bound by mass-polymerized polyurethanes 750 kg/m<sup>3</sup> density coupled with a layer of recycled polyurethane agglomerate 30 mm thickness, 90 kg/m<sup>3</sup> density.

### ACOUSTIC PERFORMANCES

LAYER	THICKNESS cm	MASS SURFACE Kg/m <sup>2</sup>
Corrugated fibrocement panel	5.7	16
Expanded polyurethane foam panel	8	3
AEMAX T	3.6	7.2
Wood planking	2	10

### TEST RESULTS

DESCRIPTION	SYMBOL	M.U.	VALUE	NORMS	NOTES
Soundproofing power	(R <sub>w</sub> )	dB	42	UNI EN ISO 140-3 UNI EN ISO 717-1	Cert.n° 135-09-acuAS

### THERMAL PERFORMANCES - PANEL

DESCRIPTION	SYMBOL	M.U.	VALUE	NORMS	NOTES
Thermal conductivity	(λ)	W/mK	0,0408	UNI EN 12667:2002	Cert.n° 023-09-theTR
Thermal resistance	(R)	m <sup>2</sup> K/W	0,827	UNI EN 12667:2002	Cert.n° 023-09-theTR
Thermal transmission	(U)	W/m <sup>2</sup> K	1,209	UNI EN 12667:2002	Cert.n° 023-09-theTR



### THERMAL PERFORMANCES FLOOR SYSTEM

DESCRIPTION	M.U.	WINTER VALUE	SUMMER VALUE	NOTES
Discrepancy		4h00'	4h26'	Calculated value
Periodic Transmittance	W/m <sup>2</sup> K	0,172	0,157	Calculated value
Transmittance	W/m <sup>2</sup> K	0,207	0,202	Calculated value

### PHYSICAL-MECHANICAL PERFORMANCES

DESCRIPTION	M.U.	VALUE	TOLERANCES	NORMS
Rubber density	Kg/m <sup>3</sup>	750	± 7 %	
Rubber thickness	mm	6	± 10 %	
Polyurethane density	Kg/m <sup>3</sup>	90	± 20 %	DIN EN ISO 845 AS 2282.3
Polyurethane thickness	mm	30	± 10 %	
Total thickness	mm	36	± 10 %	

DESCRIPTION	M.U.	RUBBER VALUE	POLYURETHANE VALUE	NORMS Rubber - polyurethane	
Resistance to 40% compression	KPa		Min 10,0		DIN EN ISO 3386/1
Elongation percentage at break	%	27	Min 60		DIN EN ISO 1798 AS 2282.6
Heat resistance	°C	Up to + 80	Up to + 120		
Cold resistance	°C	Up to -30	Up to - 40		
Fire rating		B2			DIN 4102
SHORE A hardness		50			



SINCE 1928

**Valli Zabban**  
RUBBER TECHNOLOGIES



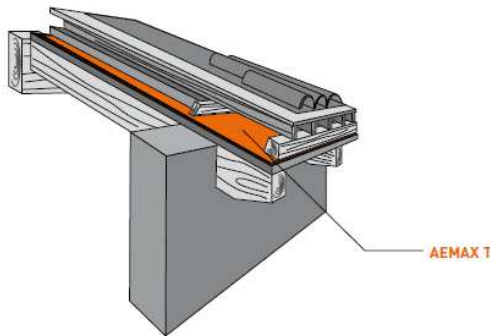
### CHEMICAL PERFORMANCES

CHARACTERISTIC	PERFORMANCE
Chemical interactions	Highly resistant to acids and alkaline detergents, rot proof, retains its characteristics unchanged over time
Electrostatic	Does not accumulate static charge and prevent interaction between materials
Environmental sustainability	100% Recyclable

### SPECIFICATION

The airborne noises acoustic insulation of wooden roofs with ventilation chamber will be obtained by lying directly over the wooden planking and underneath the thermal insulation layer, a suitable soundproofing and sound absorbent panel made from the coupling of a 6 mm thick rubber plate made up of natural and synthetic elastomeric compounds coming from the recycling of E.L.T.(end of life tyres) bound by mass-polymerized polyurethanes coupled with a layer of recycled polyurethane agglomerate 30 mm thick such as AEMAX T by AETOLIA VZ SRL.

### APPLICATION



### APPLICATION TYPE

Ventilated roof (acoustic insulation)

APPLICATION METHOD:

1. Apply AEMAX T over the first planking (over the bearing rafters) after having it opportunely shaped
2. Lay the rafters over AEMAX T for the thermal insulation layer
3. Lay the next layers of the roofing



Valli Zabban S.p.A. • Società Unipersonale • Share Capital € 5.000.000 i.v.  
Head Office

50041 Calenzano (FI) Italy, via di Le Prata, 103 • tel. +39.055.328041 • fax +39.055.300300  
www.vallizabban.com • info@vallizabban.it • vallizabban@pec.it  
C.C.I.A.A. Florence N. 05476750483 • R.E.A. FI 549826 • VAT IT 05476750483





### DIMENSIONS AND PACKAGING

SIZE	M.U.	VALUE
Thickness	mm	36
Panel dimensions	m	1x1
Panel surface	m <sup>2</sup>	1
Weight per m <sup>2</sup>	Kg/m <sup>2</sup>	7,2
Number of panels per pallet	piece	40
Total area per pallet	m <sup>2</sup>	40
Pallet dimension	cm	100x100x144+10

Rev. 4 – 10/20



**Valli Zabban S.p.A.** • Società Unipersonale • Share Capital € 5.000.000 i.v.  
**Head Office**

50041 Calenzano (FI) Italy, via di Le Prata, 103 • tel. +39.055.328041 • fax +39.055.300300  
www.vallizabban.com • info@vallizabban.it • vallizabban@pec.it  
C.C.I.A.A. Florence N. 05476750483 • R.E.A. FI 549826 • VAT IT 05476750483

