

ISOLGRAEN 10

SOUNDPROOFING PANEL FOR AIRBORNE NOISES ACOUSTIC INSULATION

Soundproofing ecological mat of 950 kg/m³ density made up of natural and synthetic elastomeric compounds coming also from the recycling of ELT (end of life tyres) bound by mass-polymerized polyurethanes. The mats are produced using advanced pressing technologies which give the products very good technical-acoustic characteristics. ISOLGRAEN 10 has very high mechanical resistances, very good impact absorbent capacity and good "elastic memory". Resistant to abrasions it has very good elastic and crush-proof characteristics to permanent loads, furthermore being a "mass" material, it is suitable to be used as airborne noises soundproofing material.

THERMAL PERFORMANCES

DESCRIPTION	SYMBOL	M.U.	VALUE	NORMS	NOTES
Thermal conductivity	(λ)	W/mK	0,1302	UNI EN 12667:2002	Cert.n° 120-09 the TR
Thermal resistance	(R)	m ² K/W	0,076	UNI EN 12667:2002	Calculated value
Thermal transmission	(U)	W/m ² K	13,157	UNI EN 12667:2002	Calculated value

PHYSICAL-MECHANICAL PERFORMANCES

DESCRIPTION	M.U.	VALUE	TOLERANCES
Rubber density	Kg/m ³	950	± 7 %
Rubber thickness	mm	10	± 10 %

DESCRIPTION	M.U.	VALUE	NORMS
Elongation percentage at break	%	27	
Heat resistance	°C	Up to + 80	
Cold resistance	°C	Up to -30	
Fire rating		B2	DIN 4102
SHORE A hardness		50	



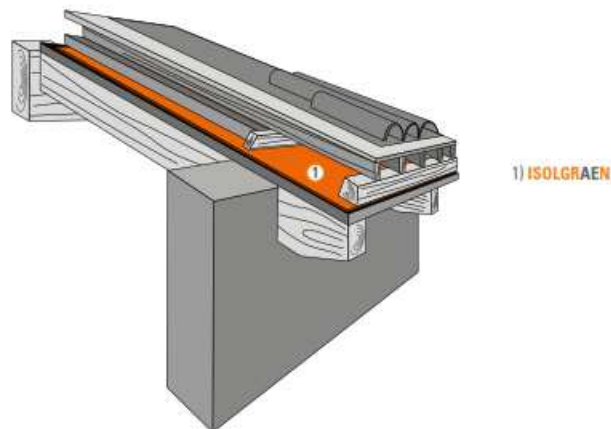
CHEMICAL PERFORMANCES

CHARACTERISTIC	PERFORMANCES
Chemical interactions	Highly resistant to acids and alkaline detergents, retains its characteristics unchanged over time
Electrostatic	Does not accumulate static charge and prevent interaction between materials
Environmental sustainability	100 % recyclable

SPECIFICATION

The airborne acoustic insulation of roofs will be obtained by laying a suitable soundproofing panel made of a 10 mm thick rubber panel made up of natural and synthetic elastomeric compounds coming from the recycling of ELT (end of life tyres) bound by mass-polymerized polyurethanes, such as ISOLGRAEN 10 by VALLI ZABBAN.

APPLICATION



APPLICATION TYPE

Ventilated roof (acoustic insulation)

APPLICATION METHOD:

1. Apply ISOLGRAEN 10 over the first planking (over the bearing rafters) after having it opportunely shaped
2. Lay the rafters over ISOLGRAEN 10 for the thermal insulation layer
3. Lay the next layers of the roofing



DIMENSIONS AND PACKAGING

SIZE	M.U.	VALUE
Thickness	mm	10
Roll height	m	1
Roll length	m	5
Weight per m ²	Kg/m ²	9,5
Number of rolls per pallet	piece	16
Total area per pallet	m ²	80
Pallet dimension	cm	100x120x100+10

Rev. 4- 10/20